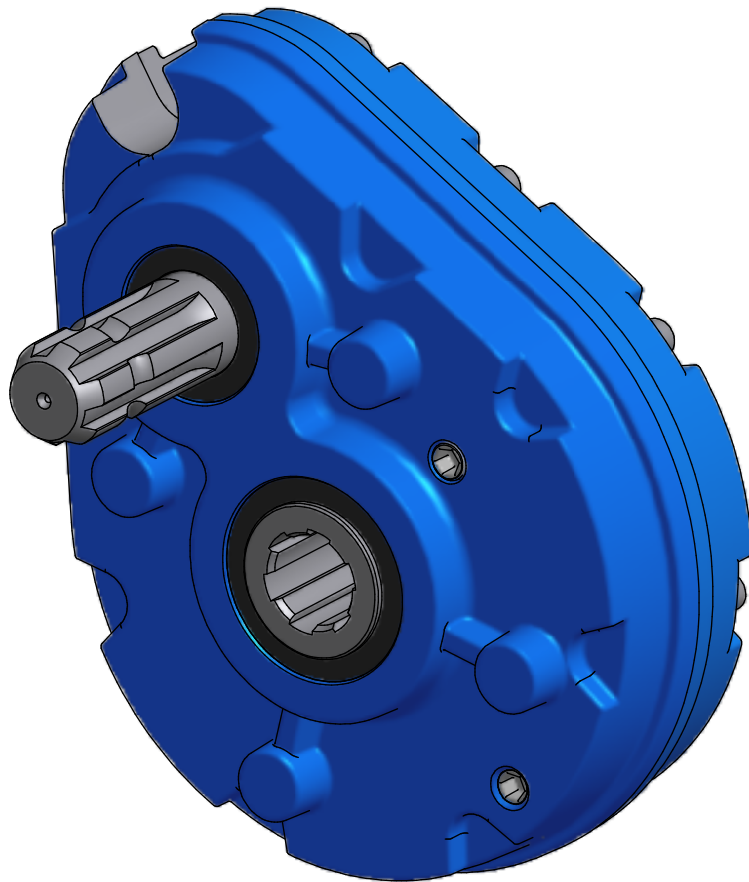




*PW-5 Gearbox*  
*Operation and Maintenance Manual*

***AGROMET***

*Ostrzeszów*





# Gearbox PW-5

*In order to maintain the safety and proper use of our product, please read this documentation before starting the installation and using of the gearbox.*

## 1. 1. Installation of the gearbox in the machine.

- The gearbox is to be bush mounted on the machine's shaft. The gearbox is also held by the shaft. For the assembly use a device that will push the gearbox on the shaft leaning on bush front surfaces. Hammering the gearbox on the shaft by hitting its casing is forbidden. Be careful as not to damage the sealing ring.
- The gearbox may be placed on the shaft in any direction (both from casing side as well as from the gear cover side)
- The gearbox shall be protected against sliding from the shaft by thrust ring or other protection device.
- If the gearbox is driven by rigidly mounted shaft it is absolutely essential to keep the axles of the drive and the driven shafts parallel and the distance between the axles of both shafts have to be also kept in accordance to the values given for the gearbox. Otherwise the gearbox may be damaged.
- The guards of the machine and the gearbox are to be provided by the buyer.

## 2. Positions of gearbox assembly

- Vertical position with gearbox input shaft upwards (fig 1a) - optimal
- Horizontal position (fig. 1b) - optimal
- Horizontal position with gearbox input shaft upwards (fig. 1c) - not recommended. Only specially adjusted gearboxes may operate in this position.

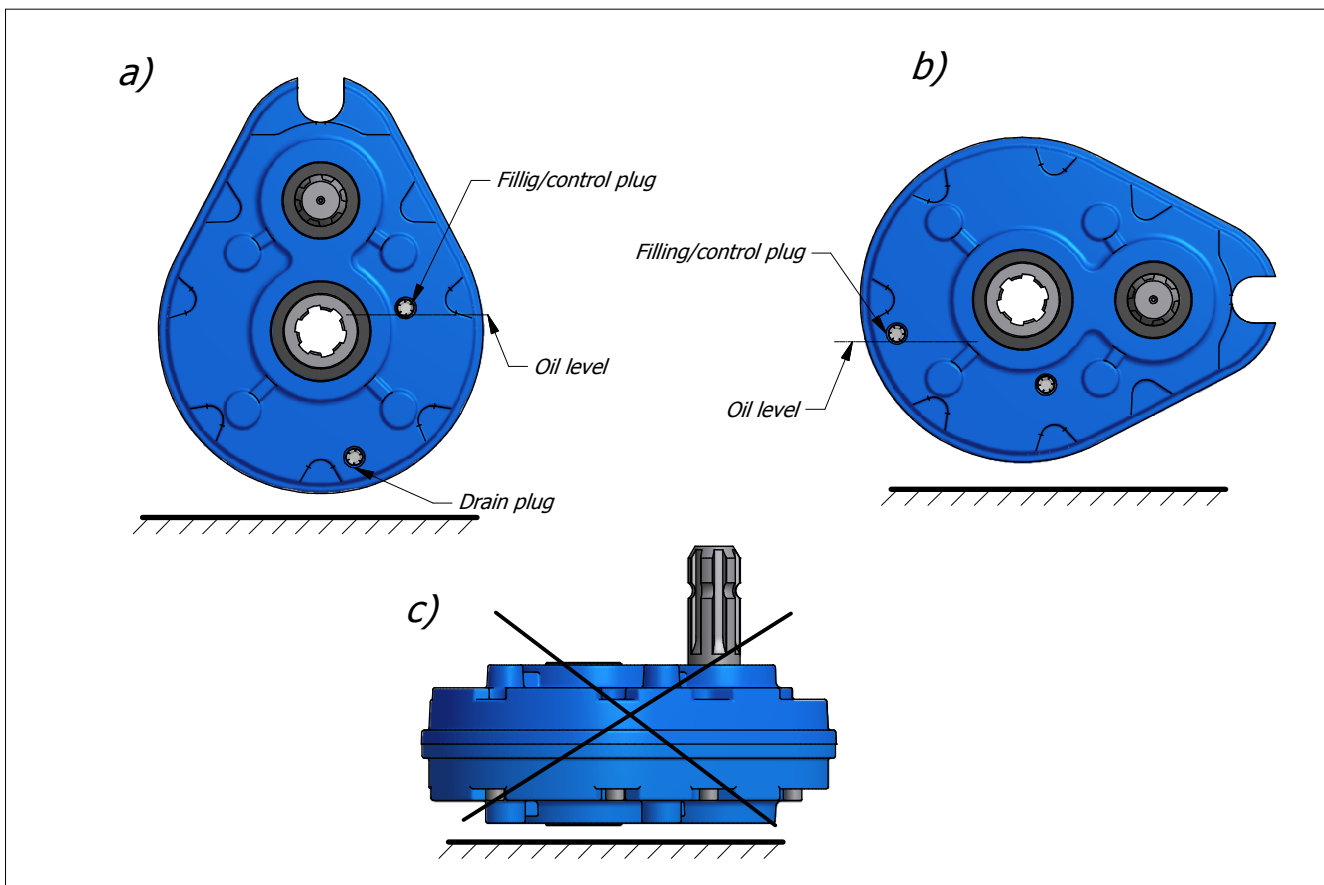


Figure 1. Gearbox assembly and oil levels.

**AGROMET**  
OSTRZESZÓW



# Gearbox PW-5

## 3. Operation and maintenance

- a) After mounting the gearbox in the machine the gearbox shall be filled with the gear oil through filling - control plugs up to the levels marked on figures (1 a and b)(the producer does not fill the gearbox with oil !!!).
- b) After filling the gearbox with oil check if there are not any leaks around drive shaft and bush seals.
- c) During start-up check whether the gearbox does not overheat or does not make noise.

**WARNING!!!** Any interference in the construction of the gearbox is forbidden e.g. drilling additional openings, cutting the casing or hitting the gear unit casing with hard objects. It results in losing the product warranty.

The gearbox work temperature shall not exceed 80°C

## 4. Values of torque transmission, gear ratio.

- Values of the maximum input torque of the gear unit are shown in Table 1. - the gearbox has to be matched in such a way as nominal power consumption of the machine does not exceed this value, whilst the maximum level of power consumption resulting from momentary overload of the machine must not exceed 1,3 of the nominal value for the gearbox, otherwise the gearbox can be damaged or even destroyed.

Table 1. Gear ratios and power transmission

Gear ratio	Input R.P.M. [1/min]	Input power [kW]	Input torque [Nm]
1,47:1	540	40	707
1,86:1	540	32	566
2,07:1	540	28	495
3,09:1	540	15	265

## 5. Warranty and warranty exclusions

- a) Our product is covered by the 24 month period warranty from the date of sale.
- b) Damages caused by errors in the assembly and operation are not a subject of the warranty, particularly:
  - Wrong position and methods of the assembly (see paragraphs 1 and 2)
  - Incorrectly determined machine power requirement (see paragraph 4)
  - Incorrect gearbox operation (see paragraph 3)

## 6. Contact:

Agromet sp. z o.o.  
Al Wolności 5/7  
63-500 Ostrzeszów  
www.agromet.pl

## 2. Contact phone numbers;

+48 62 7322430 (Engineering dep.)  
+48 62 7322400 (Sales dep.)

**AGROMET**

OSTRZESZÓW

Date: 15.12.2011